

Amber Plug-in / Plug-in Self

H 88 (Self) • 113 • 125

P 110 (inside tank: 90)

L 93 • 125 • 187 • 250 • 312 • 375 •

AE45 • AE90 • AI45 • AI90

3M1 Sandwiches • Drinks • Dairy • Fresh Products • Meat
Sandwiches • Bevande • Latticini • Prodotti freschi • Carni



Amber ST	93	125	187	250	312	375	AE45	AE90	AI45	AI90
RR	•	•	•	•	•	•	•	•	•	•
P_IN	•	•	•	•			•	•	•	•
N	•	•	•	•	•	•	•	•	•	•
HS	•	•								
HBM	•	•								

Amber ST Self	93	125	187	250	312	375	AE45	AE90	AI45	AI90
RR	•	•	•	•	•	•	•	•	•	•
P_IN	•	•	•	•			•	•	•	•
N	•	•	•	•	•	•	•	•	•	•

RR - Remote refrigeration / P_IN - Plug-in / N - Non-refrigerated / HS - Hot Static / HBM - Hot Bainmarie

Serve-over counter with straight lift-up glass, for the display of meat, dairy products, fresh and pre-packed products.

Installazione
Plug-in

Temperature range
0 / +2 °C

Refrigerante
R290

Refrigeration
Ventilated

Defrost
Electrical

Climate and product class
3M1

Illumination
• Led
• Fluorescent

Front Glass
Safety lift-up glass

Side Glass Panels
• Panoramic safety glass
• Double mirror

Bumper
Stainless steel (optional)

Rear closing system
• Night curtain
• Sliding doors
(both systems are optional)

Banco da taglio servito, con vetri piani sollevabili, per l'esposizione di salumi, latticini e carni.

Installazione
Plug-in

Temperatura di esercizio
0 / +2 °C

Refrigerante
R290

Refrigerazione
Ventilata

Sbrinamento
Elettrico

Classe climatica e di prodotto
3M1

Illuminazione
• Led
• Tubi fluorescenti

Vetro frontale
Cristallo temperato

Vetri laterali
• Panoramici
• Doppio specchio

Protezione
Batticarrello inox (optional)

Chiusura posteriore
• Tenda notte
• Scorrevoli (entrambi optional)



Inside color
Colori interno

Outside color
Colore esterno

RAL

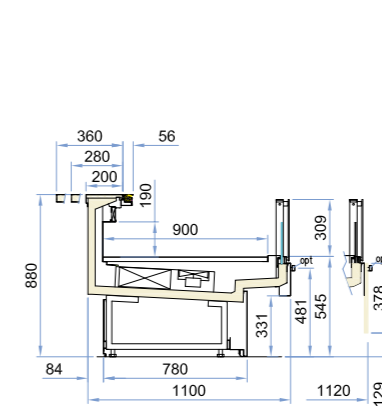
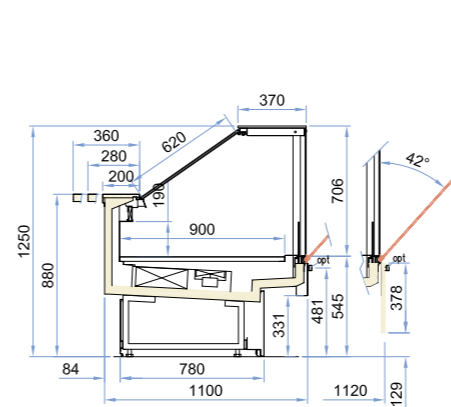
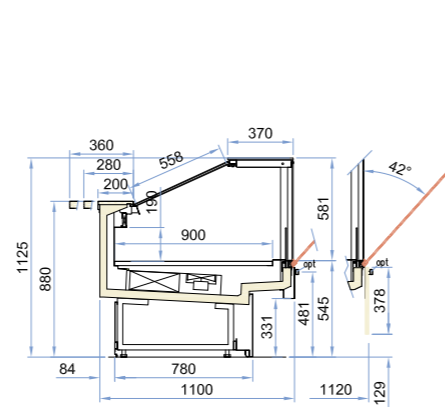
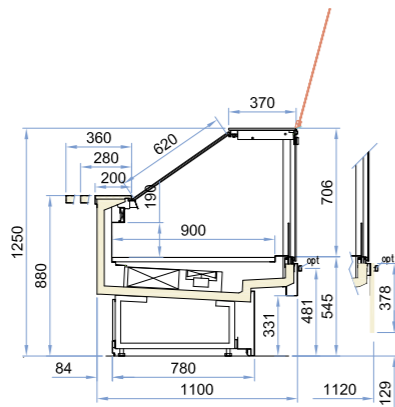
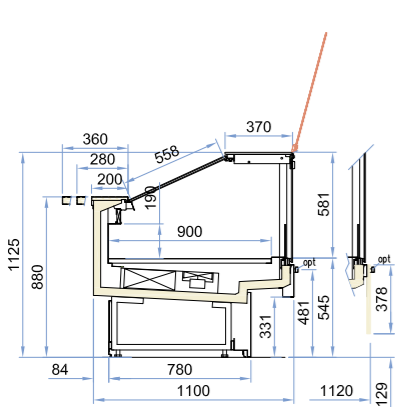
Amber



Amber Plug-in UP

Amber Plug-in DWN

Amber Plug-in Self



H113

H125

H113

H125

H88